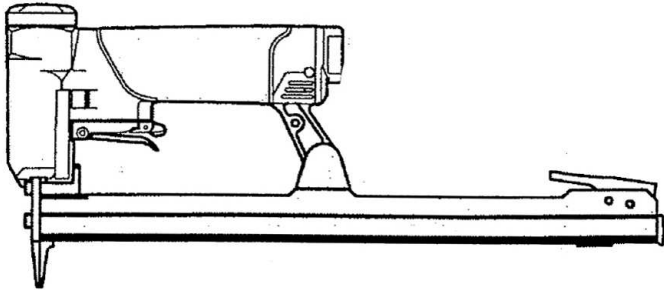


SIFCO®

R1B7C-16LM TECHNICAL DATA



TOOL CHARACTERISTICS

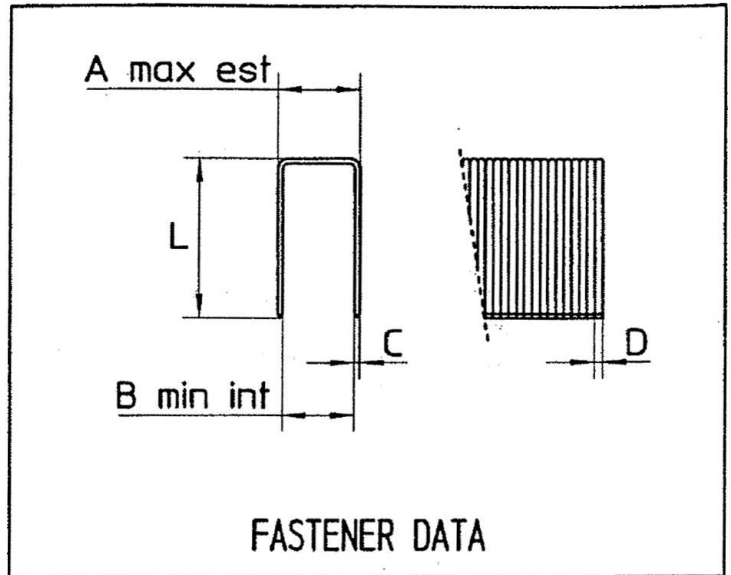
HEIGHT	WIDTH	LENGTH	WEIGHT
157 mm.	42 mm.	376 mm.	1.030 Kg.
MIN-MAX WORKING PRESSURE		60 / 100 PSIG 4 / 7 BAR	
AIR CONSUMPTION PER SHOT		PERFORMANCES AT 90 psi (0.62 Mpa) 0.37 l.	
LUBRICANT		BCNZ617 500 ml.	

* ACTUATION SYSTEM	1 (SAFETY : MANUAL)
--------------------	---------------------

* SEE INSTRUCTION MANUAL

NOISE CHARACTERISTICS	EN 792-13	$L_{WA,1s}$, : 92.12 dB(A) - $K_{WA,1s}$, 2.5
	EN 12549	$L_{PA,1s}$, : 81.30 dB(A) - $K_{PA,1s}$, 2.5
	EN ISO 4871	

VIBRATION VALUE	ISO 8662 IS BELOW THE DECLARATION LIMIT SET BY EN 292 1ADD. A
-----------------	---



FASTENER DATA

A) OUTSIDE CROWN	9.00 mm.
B) INSIDE CROWN	7.70 mm.
CxD) WIRE	0.60 x 0.75 mm.
L) LENGTH	6 - 16 mm.
MAGAZINE CAPACITY	390 staples

* LOADING	<input checked="" type="checkbox"/> BOTTOM LOADING
	<input type="checkbox"/> SIDE LOADING
	<input type="checkbox"/> TOP LOADING
	<input type="checkbox"/> COIL
	<input type="checkbox"/> OTHER

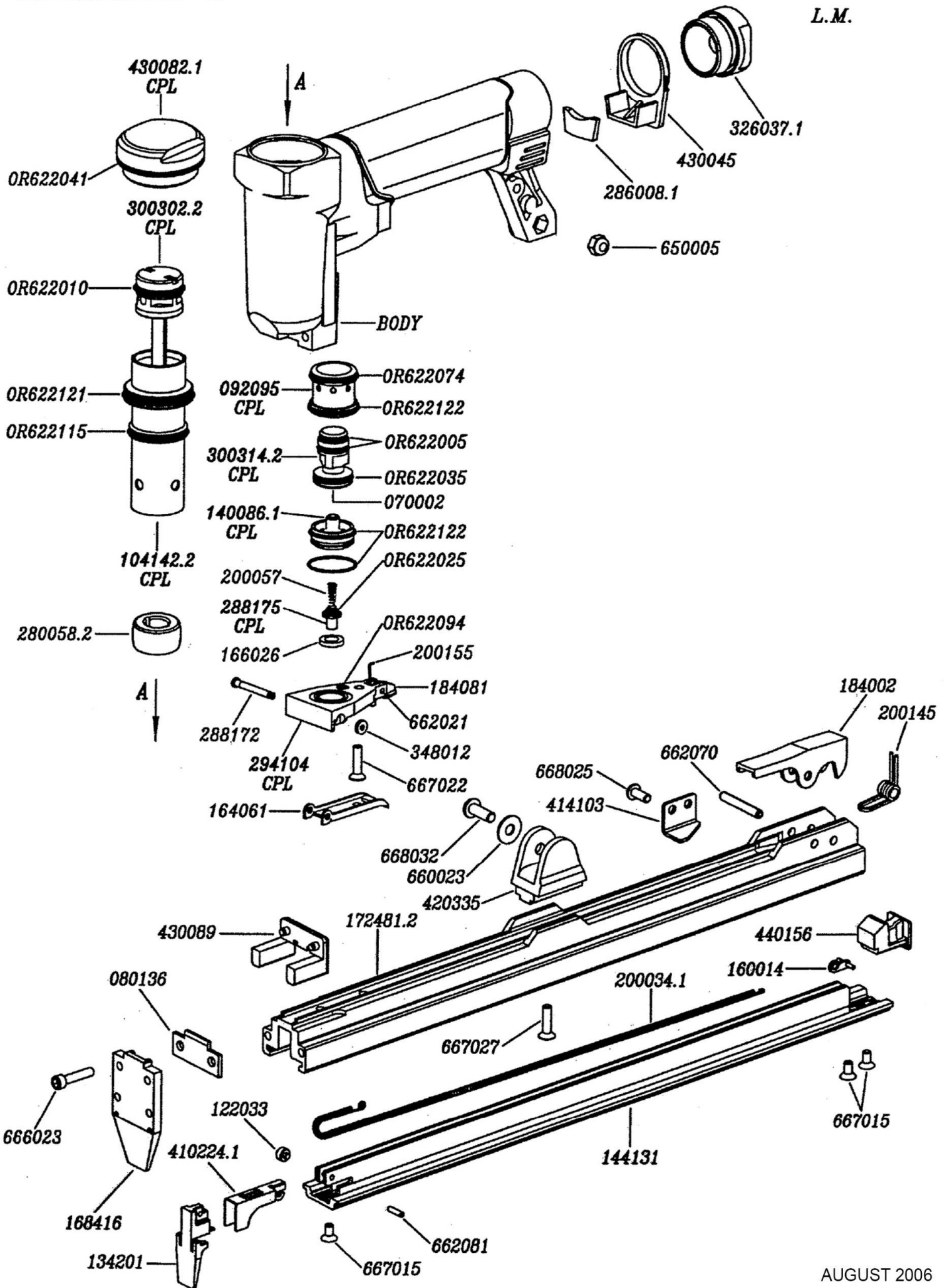
AUGUST 2006

SIFCO® fastening solutions

AUCKLAND - TAURANGA - CHRISTCHURCH

ESP	MACHINE CODE
1	21078
DESC.	R1B 7C-16
BODY	138568

R1B7C-16LM PARTS DIRAGRAM



SPARE PARTS LIST

R1B7C-16LM

Code	RSP	Qty	Description
000070002	R	1	BUFFER
000080136		1	REST
000092095		1	BUSH
000104142.2		1	CYLINDER
000122033		1	PULLEY
000134201		1	NOSE RAIL
000138578		1	BODY
000140086.1		1	TRIGGER VALVE
000144131		1	SLIDER
000160014		1	HOOK
000164061		1	TRIGGER
000166026	R	1	GASKET
000168416		1	PLATE
000172481.2		1	LOADER
000184002		1	CATCH
000184081		1	CATCH
000200034.1	R	1	SPRING
000200057	R	1	SPRING
000200145	R	1	SPRING
000200155	R	1	SPRING
000280058.2	R	1	BUMPER
000286008.1		1	MUFFER
000288172		1	PIN
000288175		1	PIN
000294104		1	PLATE
000300302.2	R	1	DRIVER PISTON
000300314.2		1	PISTON
000326037.1		1	ADAPTER
000348012		1	SPACER
000410224.1	R	1	PUSHER
000414103		1	SQUARE
000420335		1	HOLDER
000430045		1	COVER
000430082.1		1	CAP
000430089		1	COVER
000440156		1	SLOT
000622005	R	2	O-RING
000622010	R	1	O-RING
000622025	R	1	O-RING
000622035	R	1	O-RING
000622041	R	1	O-RING
000622074	R	1	O-RING
000622094	R	1	O-RING
000622115	R	1	O-RING
000622121	R	1	O-RING
000622122	R	3	O-RING
000650005	R	1	NUT
000660023	R	1	WASHER
000662021	R	1	PIN
000662070	R	2	PIN
000662081	R	1	PIN
000666023	R	4	SCREW
000667015	R	3	SCREW
000667022	R	1	SCREW
000667027	R	1	SCREW
000668025	R	2	SCREW
000668032	R	1	SCREW